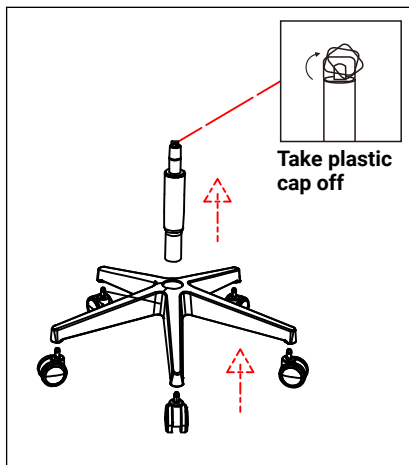
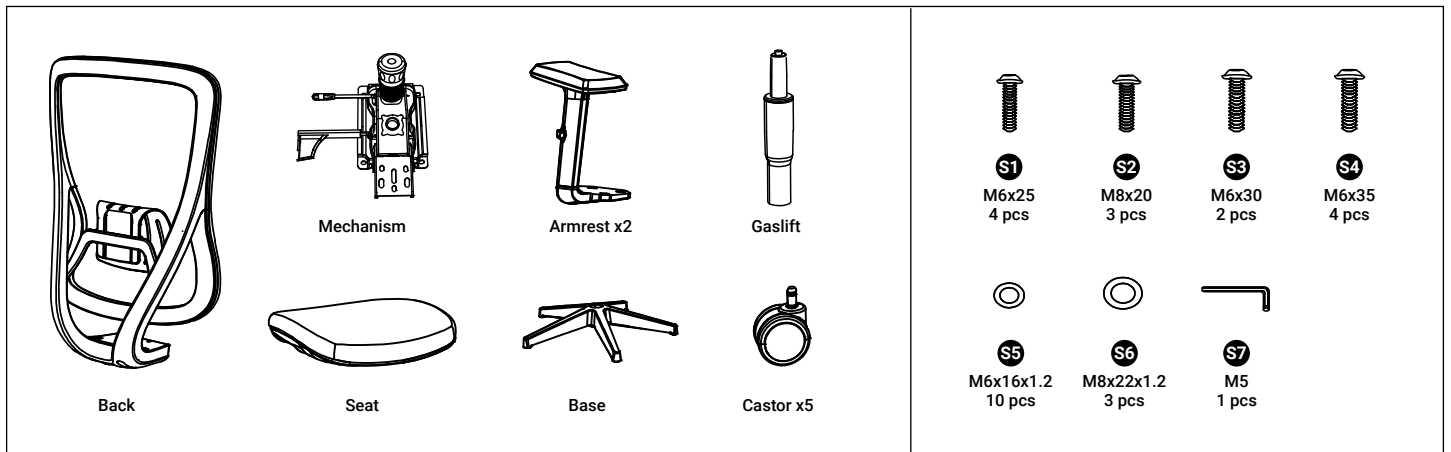
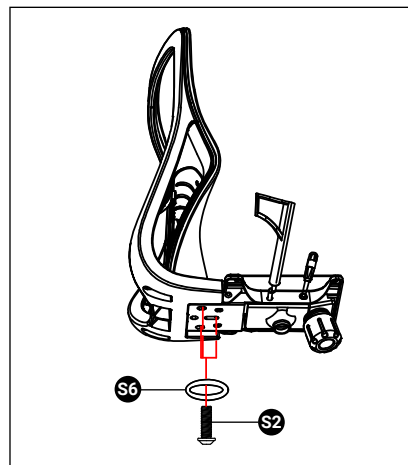


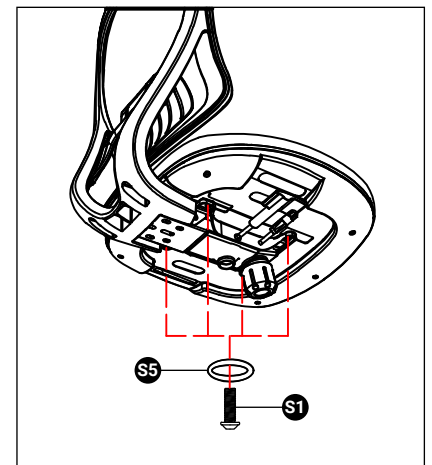
What's in the box



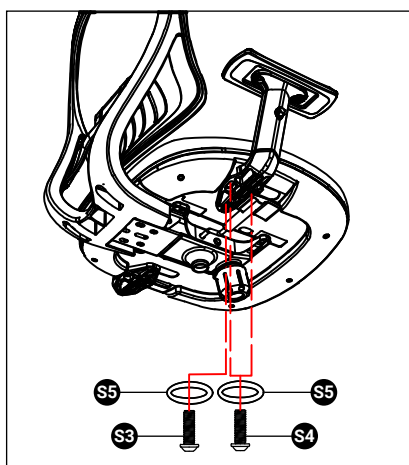
Step 1



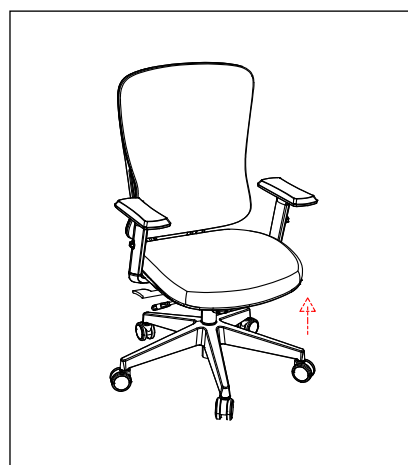
Step 2



Step 3



Step 4



Step 5



Step 6

Step 1 - Insert 5 x castors, place gaslift into base

Step 2 - Screw back to mechanism

Step 3 - Screw mechanism to seat

Step 4 - Screw armrest to seat (x2)

Step 5 - Place chair onto base

Step 6 - Chair is complete and ready to use

