



eleva**r**

MARCO TALL FOLDING TABLE
technical specifications

MARCO TALL FOLDING TABLE

Table

A standing height folding table that delivers the same sleek, versatile design as its folding counterpart but is tailored for fixed standing-height applications. Ideal for collaborative zones, breakout areas, or agile working spaces, this system maintains the streamlined aesthetic and efficient engineering of the original.

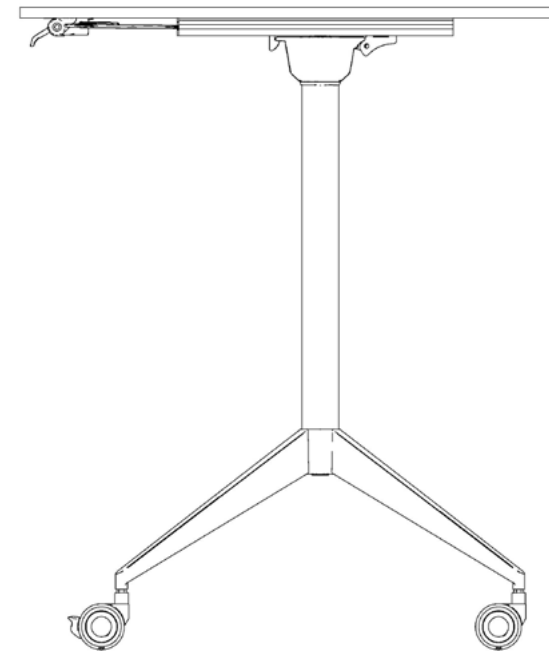
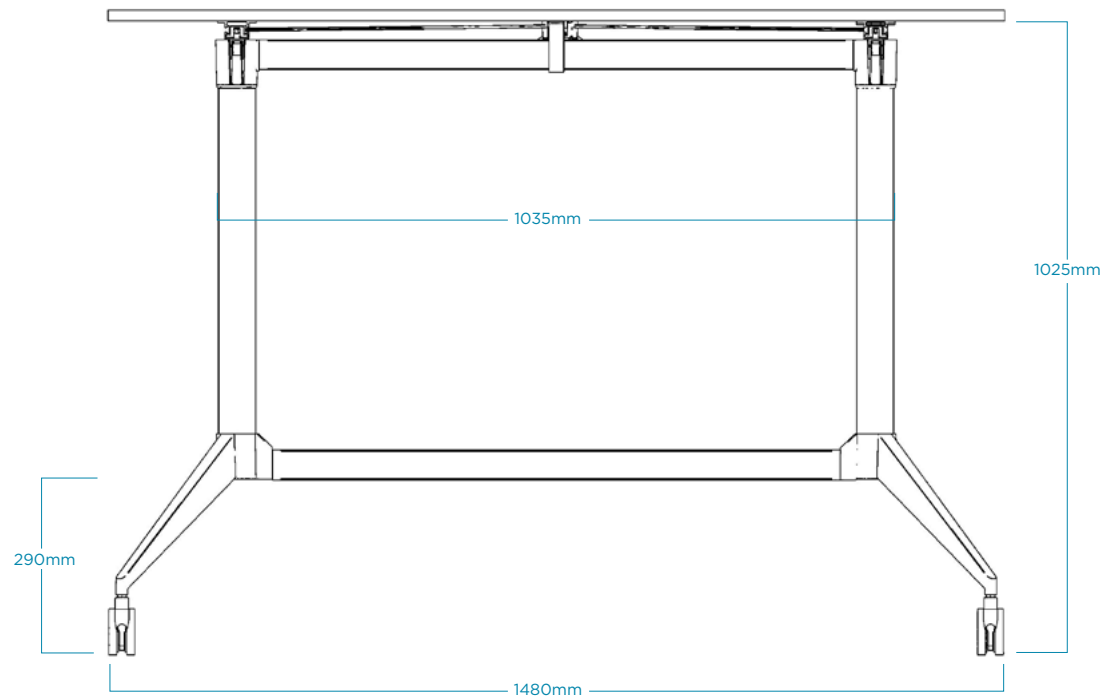
Product Type	Tall Fixed Height Folding - 2-Leg Frame
Foot Type	Angle foot for added stability
Top Dimensions	1500 x 900mm or 1800 x 750mm
Height	1025mm from floor level + top
Weight Capacity	50kg + top
Frame Finish	Black Texture, Custom Powdercoat
Warranty	7 Years



MARCO TALL FOLDING TABLE

Table

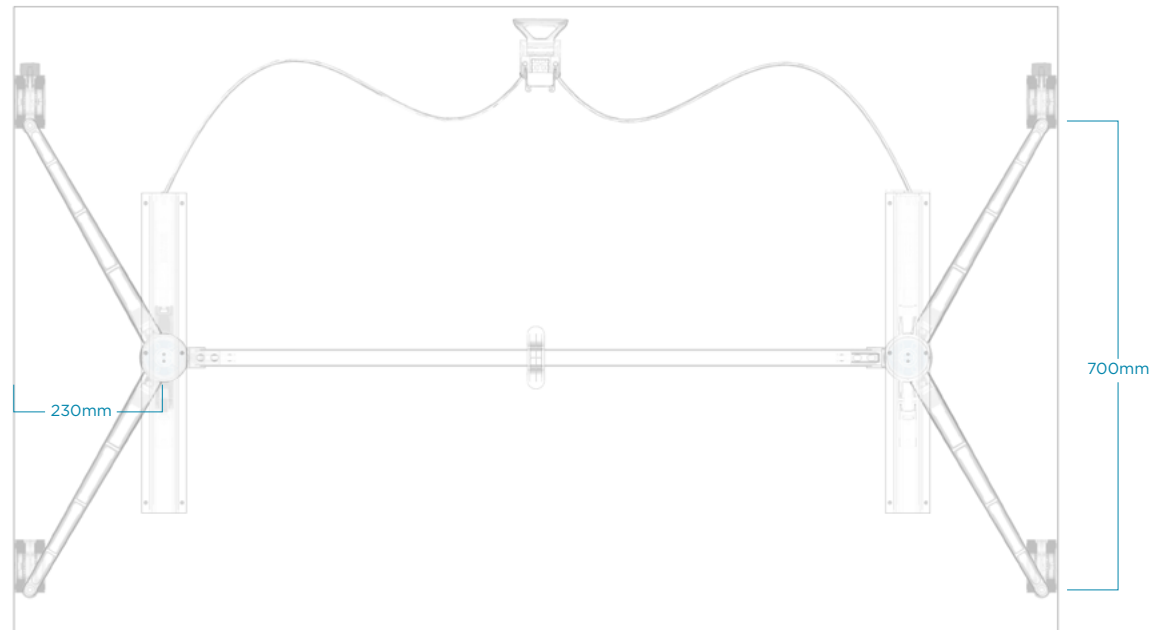
Frame Dimensions



MARCO TALL FOLDING TABLE

Table

Top dimensions



MARCO TALL FOLDING TABLE

Table

