



MARCO technical specifications

MARCO

Liftnfold - Height Adjustable Folding Table

Marco is an original, light & versatile table system, comprised of breakout, meeting and folding tables. Spanish for 'Framework', Marco incorporates a simple yet structural intelligent solution that is adaptable for all commercial spaces.

The Marco Liftnfold lets you work on the go in the office, classroom, or home. Easily stored when not in use, the HA Folding rolls with ease and allows for an ergonomic solution for you, wherever you go.

Product Type	Single Column - Adjustable with dual paddle
Foot Type	Split Narrow/Wide Foot Profile with heavy duty lockable castors
Top Size	Standard 800mm L x 600mm D with tablet, cup holder, lectern edge Custom 750mm - 900mm x 750mm - 900mm SQ/DIA
Height Range	730mm - 1080mm (including 18mm worktop)
Weight Capacity	10kg max.
Frame Finish	Black Textured, White Pearl
Top Finish	Walnut (Black Textured Frame) White (White Pearl Frame)
Warranty	7 Years - Framework and Mechanics



MARCO

Liftnfold - Height Adjustable Folding Table

Top Dimensions

MF-HA

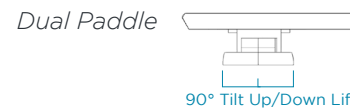
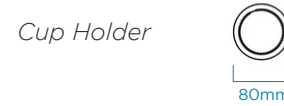
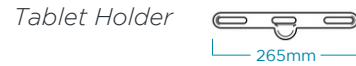
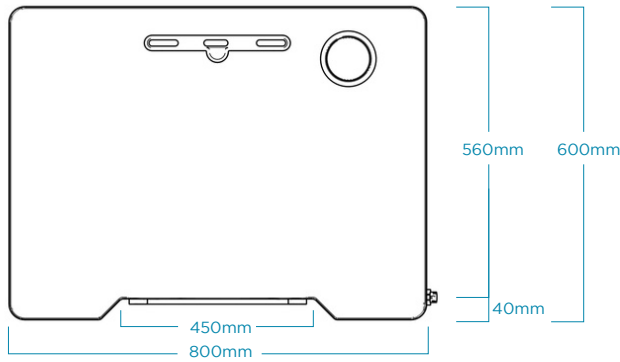
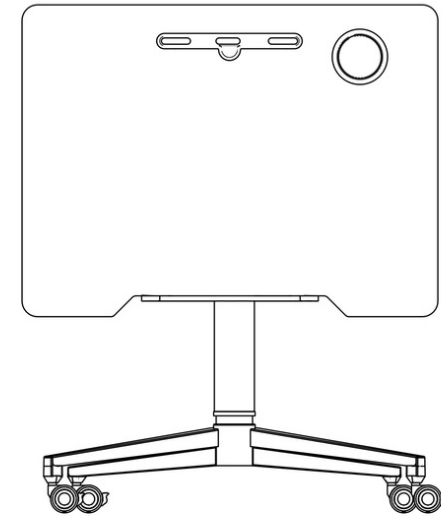
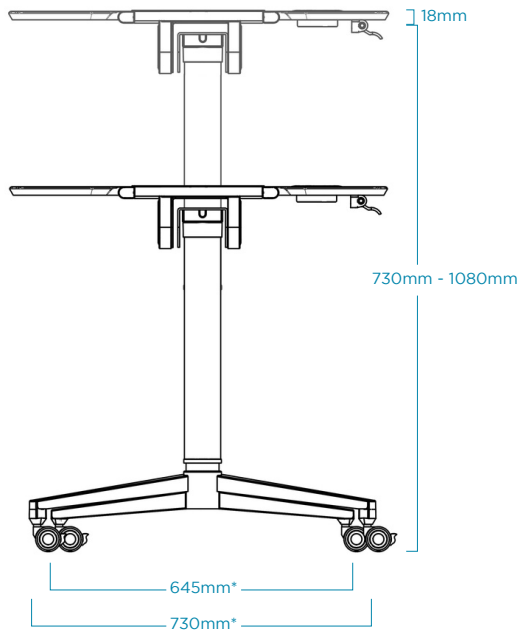


Table Configuration

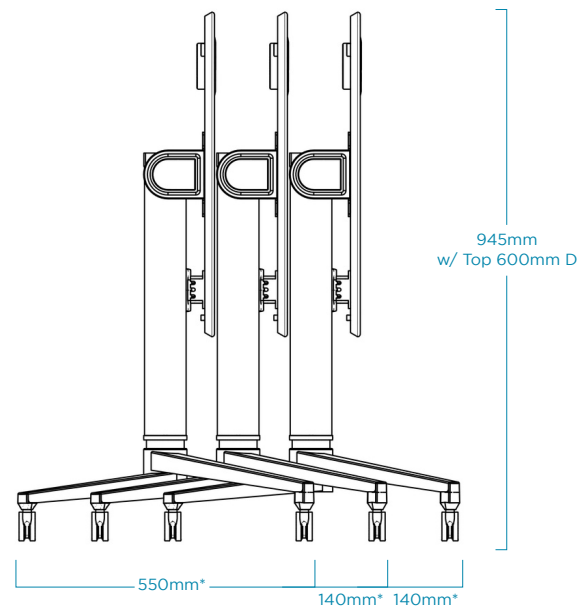
Single column - Adjustable Height / Tilt



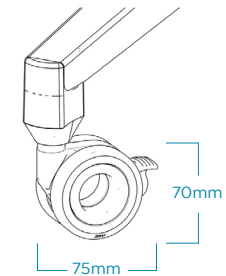
Frame / Height Dimensions



Stacking Dimensions



Castor 60mm Dia



*Direction of castors may add up to 50mm