



MARCO technical specifications

MARCO

Folding Table

Designed with telescopic beams and varying foot profiles it allows for ease of adjustment, customisation and fast installation whilst maintaining a contemporary look.

To ensure ultimate flexibility we use a latch release system that enables a range of table overhang that can be changed at time of installation. The foot remains at an 180° angle so that the tables nestle together tightly to minimise storage space.

Product Type	Fixed Height Folding - 2 Leg Frame
Foot Type	Narrow and wide foot profile Fixed 180° angle with heavy duty castors
Top Size	Narrow 750mm - 2100mm L x 600mm - 800mm D Wide 750mm - 2100mm L x 850mm - 1000mm D
Height Range	Standard 720mm (including 25mm worktop) Custom 575mm - 925mm (including 25mm worktop)
Weight Capacity	100kg including worktop
Optional Extras	Power - mounted off-center Table links, Adjustable Glides +/- 10mm
Frame Finish	Standard Black Texture, Pearl White Custom powdercoat
Warranty	7 Years



MARCO

Folding Table

Top Dimensions

Narrow Stance MF-NS | MF-NL
Wide Stance MF-WS | MF-WL

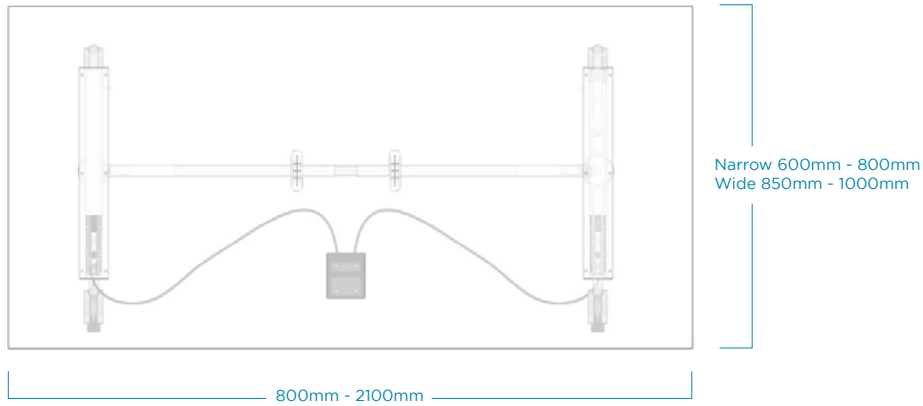
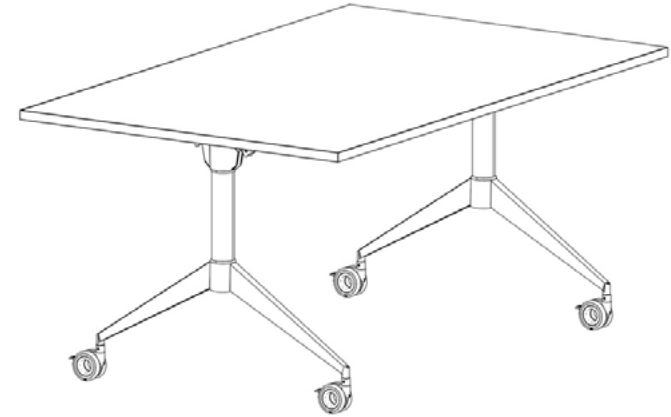


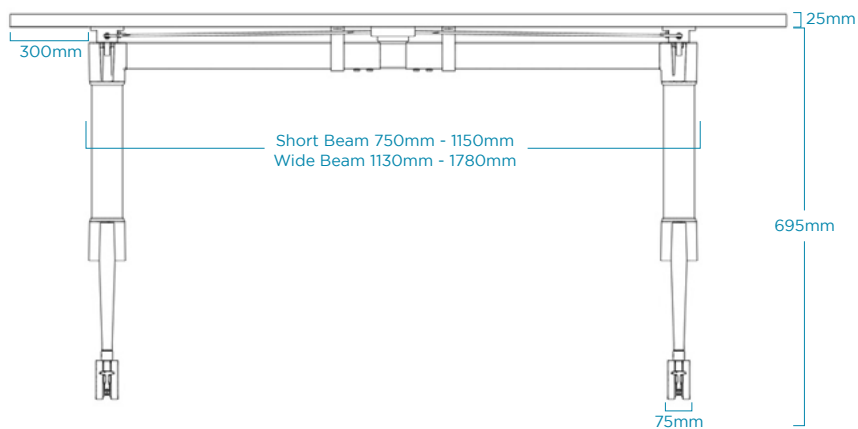
Table Configuration

Fixed Folding - 2 Leg



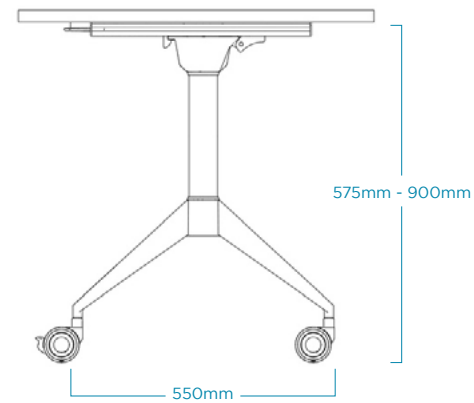
Frame Dimensions

Narrow Stance | Wide Stance

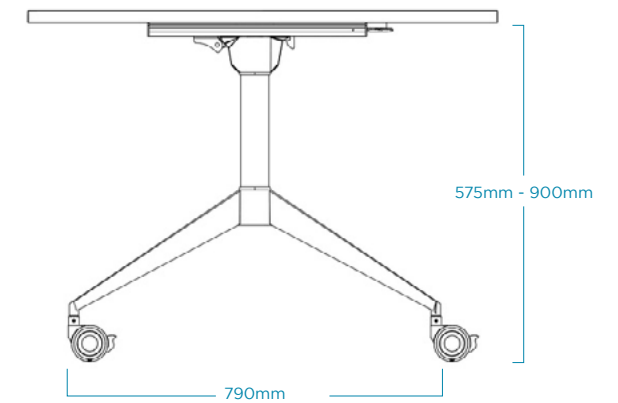


Leg Dimensions

Narrow Stance



Wide Stance

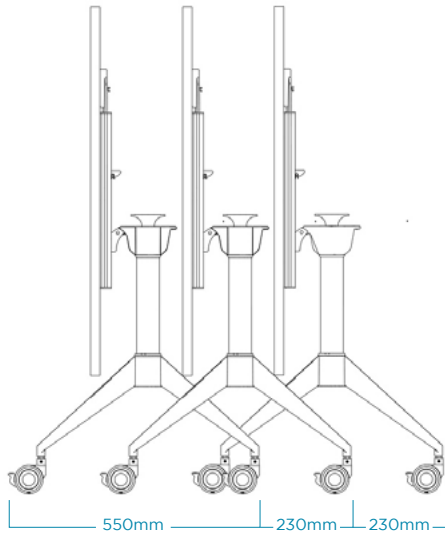


MARCO

Folding Table

Stacking Dimensions

Narrow Stance



Wide Stance

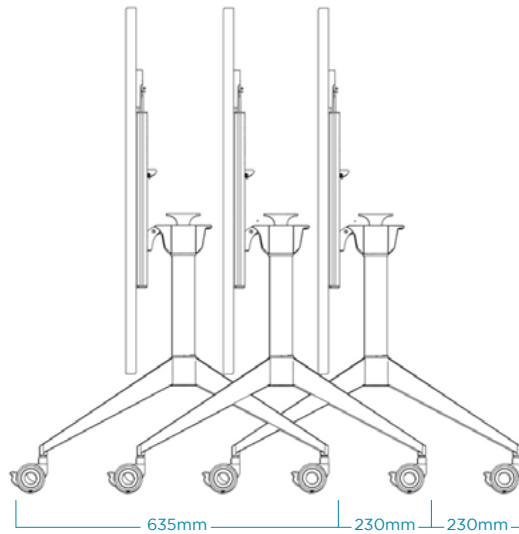
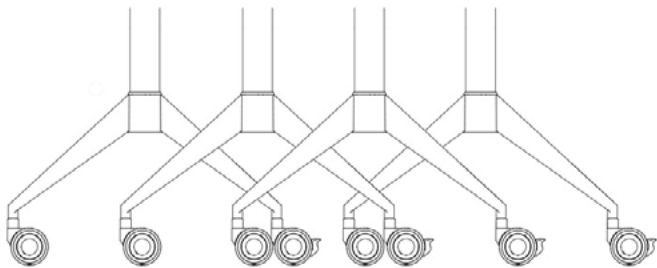
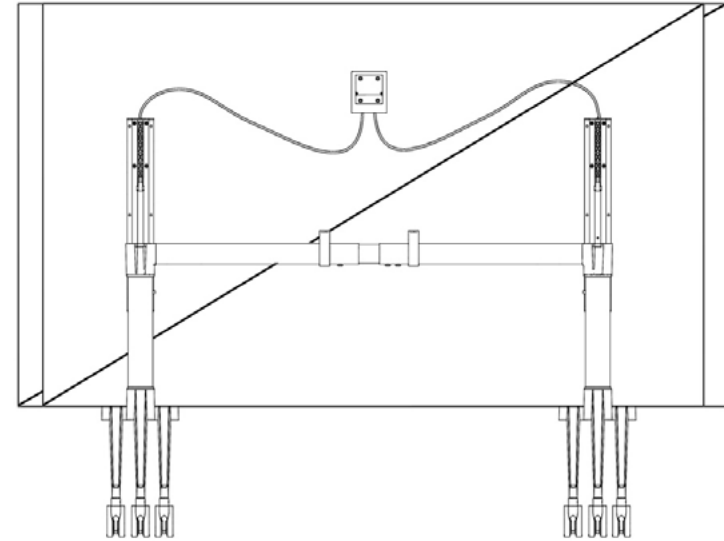
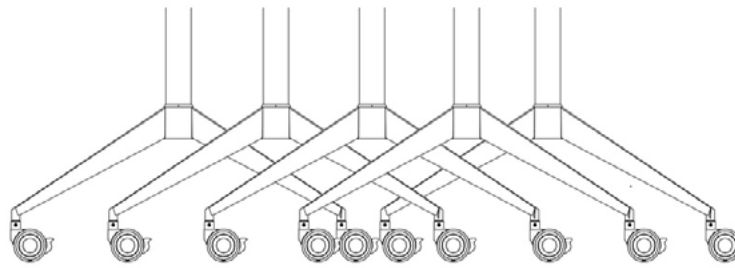


Table Configuration

Fixed Folding - 2 Leg



**Narrow Stance Optimal Stacking Solution*
3 Frames stacked then repeat (top + 60mm)



**Wide Stance Optimal Stacking Solution*
4 Frames stacked then repeat (top + 90mm)