



elevator

MARCO technical specification

MARCO

Height Adjustable Folding Table

The new Marco height-adjustable folding table lets you work on the go in the office, classroom, or home. Easily stored when not in use, the HA Folding rolls with ease and allows for an ergonomic solution for you, wherever you go.

<i>PRODUCT TYPE</i>	Single Column - Adjustable with dual paddle
<i>FOOT TYPE</i>	Split Narrow/Wide Foot Profile with heavy duty lockable castors
<i>TOP SIZE</i>	Standard 800mm L x 600mm D with tablet, cup holder, lectern edge Custom 750mm - 900mm x 600mm - 900mm SQ/DIA
<i>HEIGHT RANGE</i>	730mm - 1080mm (including 18mm worktop)
<i>WEIGHT CAPACITY</i>	10kg max.
<i>FRAME FINISH</i>	Black Textured, White Pearl
<i>TOP FINISH</i>	Walnut (Black Textured Frame) White (White Pearl Frame)
<i>WARRANTY</i>	7 Years - Framework and Mechanics



MARCO Height Adjustable Folding Table

TOP DIMENSIONS

MF-HA

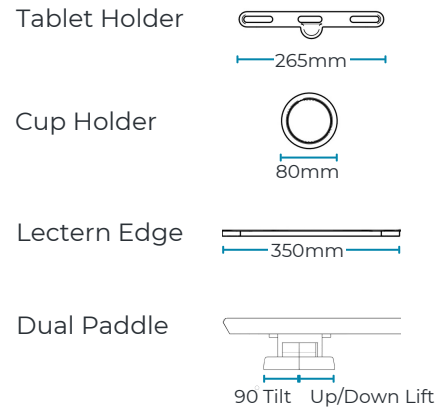
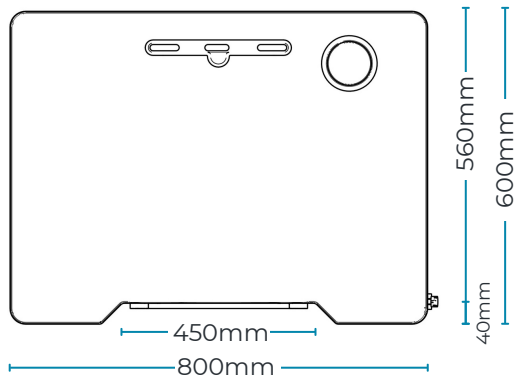
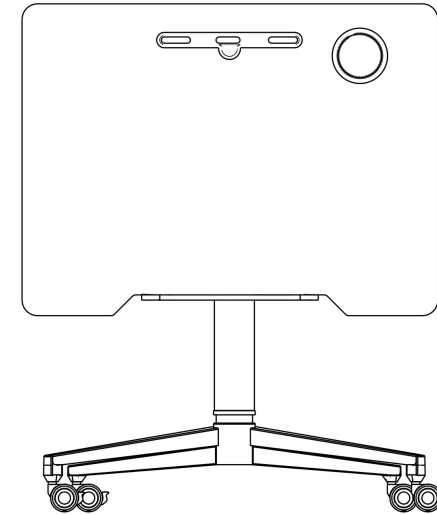
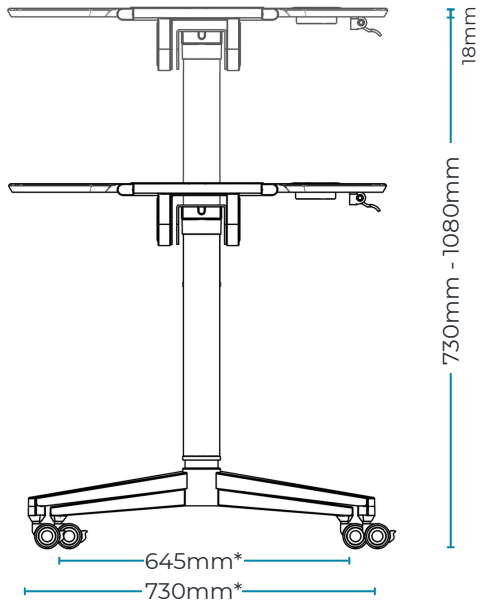


TABLE CONFIGURATION

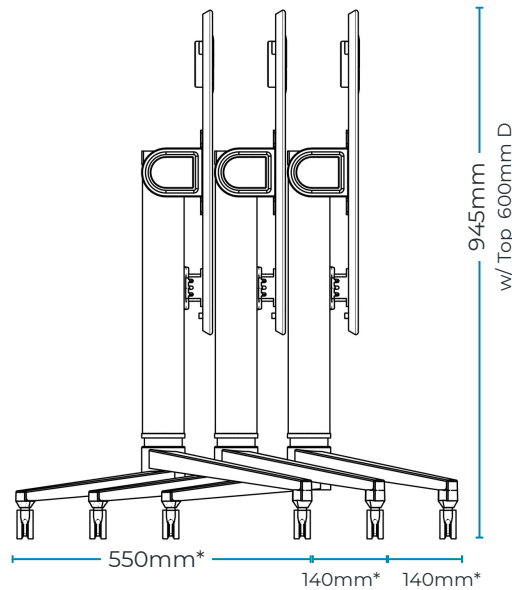
Single column - Adjustable Height / Tilt



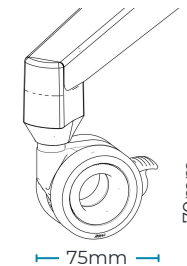
FRAME | HEIGHT DIMENSIONS



STACKING DIMENSIONS



Castor 60mm Dia



*Direction of castors may add up to 50mm



elevator

MARCO

Folding Table

Designed with telescopic beams and varying foot profiles it allows for ease of adjustment, customisation and fast installation whilst maintaining a contemporary look.

To ensure ultimate flexibility we use a latch release system that enables a range of table overhang that can be changed at time of installation. The foot remains at an 180° angle so that the tables nestle together tightly to minimise storage space.

PRODUCT TYPE	Fixed Height Folding - 2 Leg Frame
FOOT TYPE	Narrow and wide foot profile Fixed 180° angle with heavy duty castors
TOP SIZE	Narrow 750mm - 2100mm L x 600mm - 800mm D Wide 750mm - 2100mm L x 850mm - 1000mm D
HEIGHT RANGE	Standard 720mm (including 25mm worktop) Custom 575mm - 925mm (including 25mm worktop)
WEIGHT CAPACITY	100kg including worktop
OPTIONAL EXTRAS	Power - mounted off-center Table links, Adjustable Glides +/- 10mm
FRAME FINISH	Standard Black Texture, Pearl White Custom powdercoat
WARRANTY	7 Years



MARCO Folding Table

TOP DIMENSIONS

Narrow Stance MF-NS | MF-NL
Wide Stance MF-WS | MF-WL

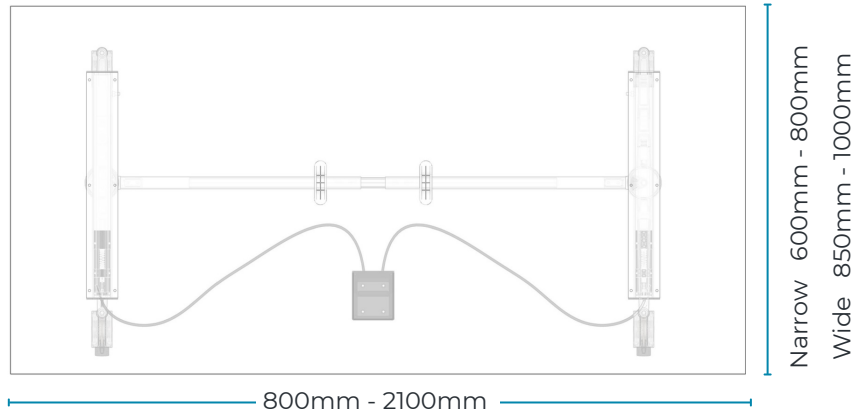
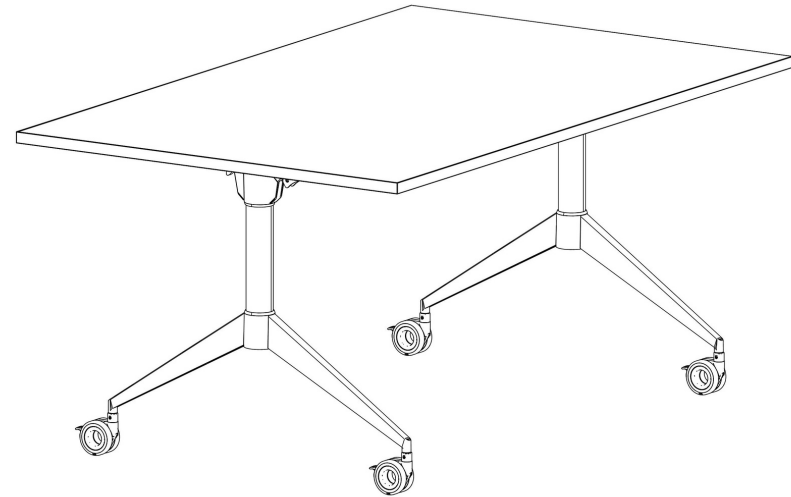


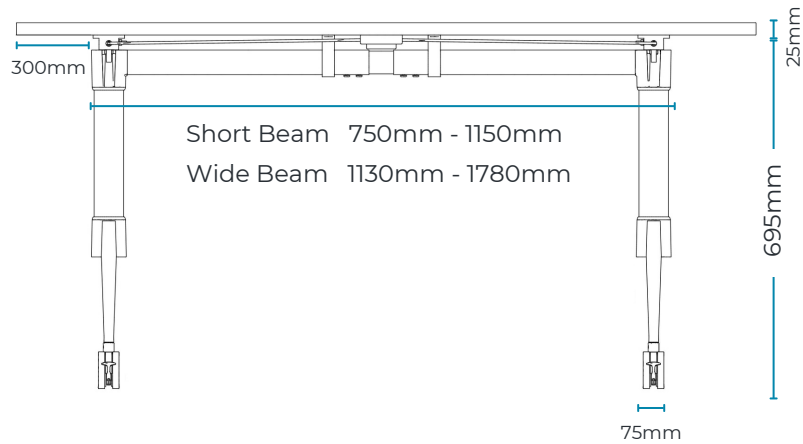
TABLE CONFIGURATION

Fixed Folding - 2 Leg



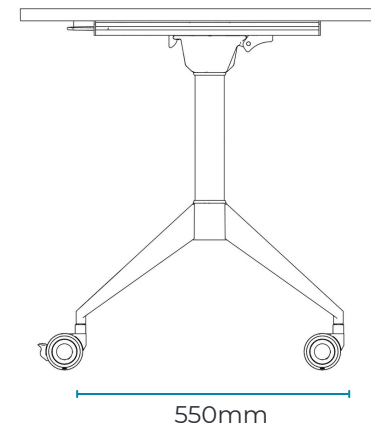
FRAME DIMENSIONS

Narrow Stance | Wide Stance

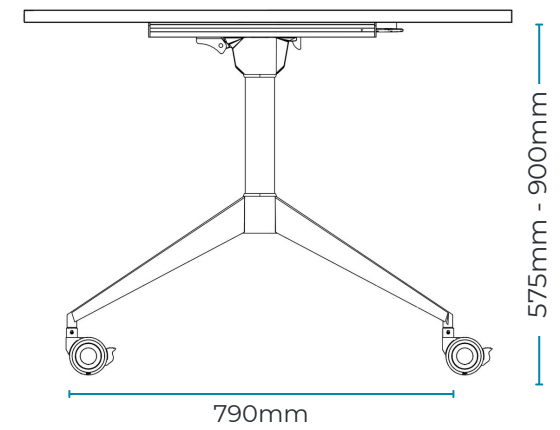


LEG DIMENSIONS

Narrow Stance



Wide Stance

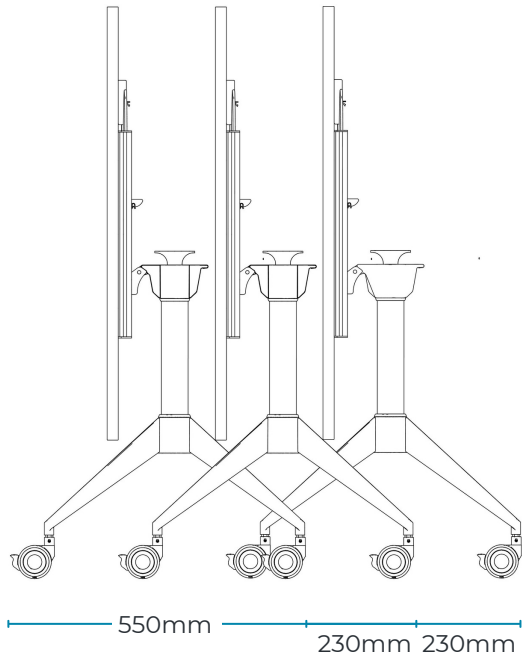


elevator

MARCO Folding Table

STACKING DIMENSIONS

Narrow Stance



Wide Stance

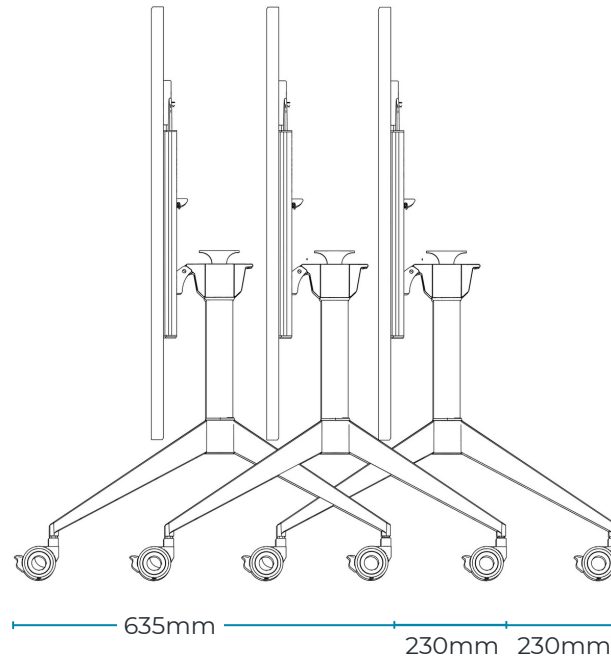
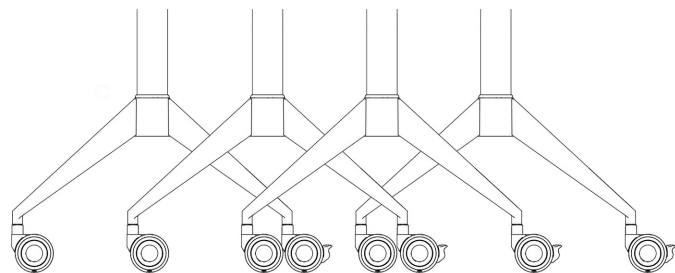
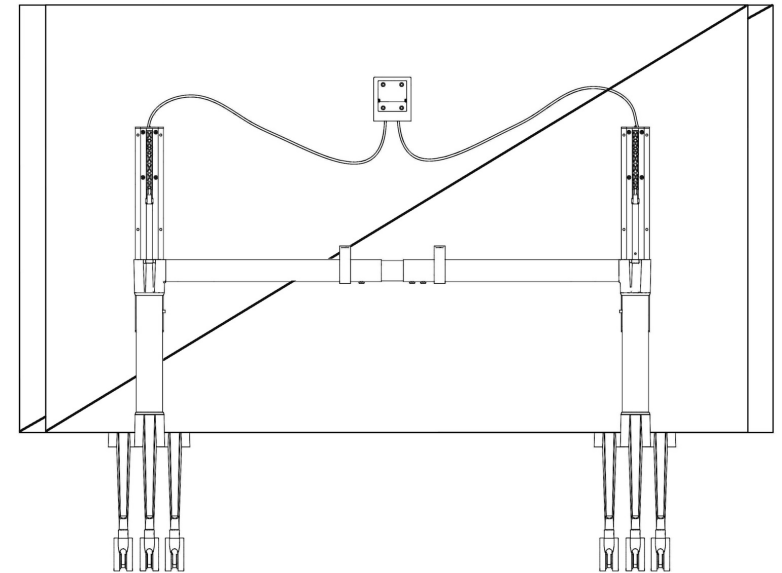
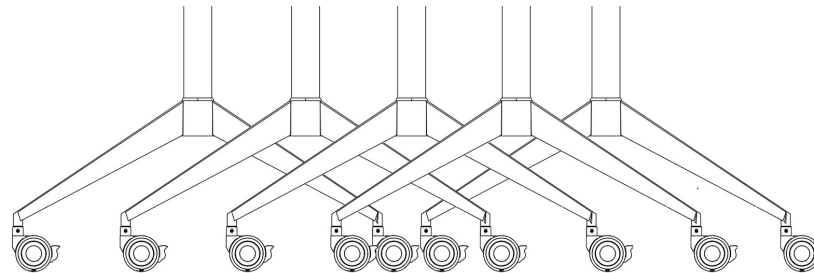


TABLE CONFIGURATION

Fixed Folding - 2 Leg



*Narrow Stance Optimal Stacking Solution
3 Frames stacked then repeat (top + 60mm)



*Wide Stance Optimal Stacking Solution
4 Frames stacked then repeat (top + 90mm)



elevator

MARCO

Small Meeting

Designed with telescopic beams and varying foot profiles it allows for ease of adjustment, customisation and fast installation whilst maintaining a contemporary look.

By simply adding additional leg sets and beams, Marco can support a variety of top sizes. Transform the function and aesthetic by altering the maximum and minimum overall height, finish, add casters, and accommodate power and data boxes between leg sets.

PRODUCT TYPE	Fixed Height - Two Leg Small Meeting Frame
FOOT TYPE	Narrow and wide foot profile with adjustable glides
TOP SIZE	Narrow 980mm - 2400mm L x 600mm - 900mm D Wide 1100mm - 2400mm L x 900mm - 1200mm D
HEIGHT RANGE	Standard 720mm (including 25mm worktop) Custom 525mm - 1025 mm (including 25mm worktop) Glide Adjustment +/- 10mm
WEIGHT CAPACITY	100kg including worktop
OPTIONAL EXTRAS	Power data beam - mounted between leg sets Heavy duty castors, Table Links
FRAME FINISH	Standard Black Texture, Pearl White Custom powdercoat
WARRANTY	7 Years



MARCO Small Meeting

TOP DIMENSIONS

Narrow Stance MF-NS | MF-NL
Wide Stance MF-WS | MF-WL

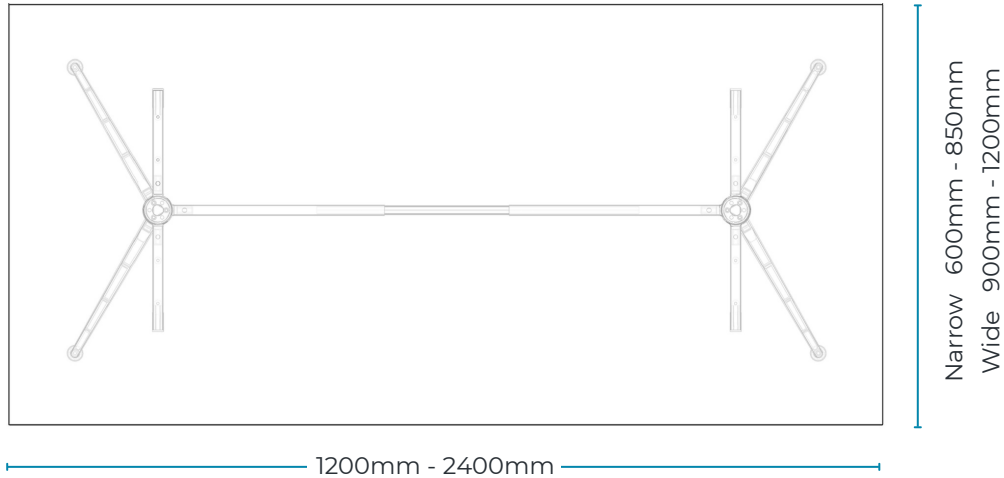


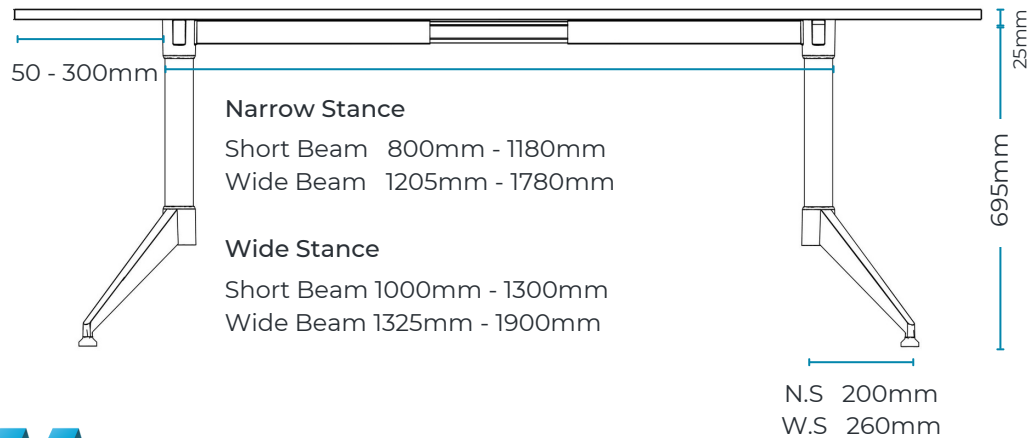
TABLE CONFIGURATION

Fixed Frame - 2 Leg



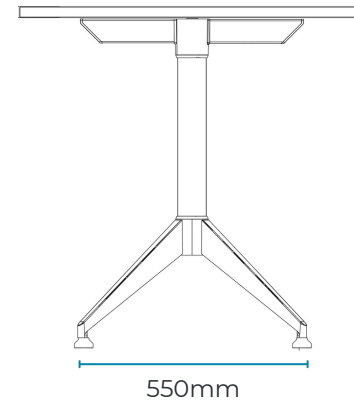
FRAME DIMENSIONS

Narrow Stance | Wide Stance

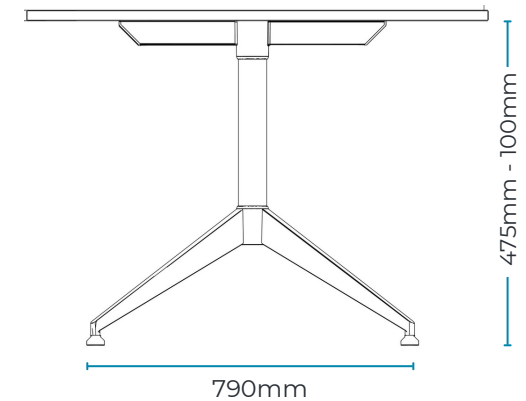


LEG DIMENSIONS

Narrow Stance



Wide Stance



MARCO

Long Meeting

Designed with telescopic beams and varying foot profiles it allows for ease of adjustment, customisation and fast installation whilst maintaining a contemporary look.

By simply adding additional leg sets and beams the Marco can support a variety of top sizes. Transform the function and aesthetic by altering the maximum and minimum overall height, finish, add casters, and accommodate power and data boxes between leg sets.

PRODUCT TYPE Fixed Height - Three & Four Leg Long Meeting Frame

FOOT TYPE Narrow and wide foot profile with adjustable glides

TOP SIZE
3 Leg 2200mm - 4200mm L x 850mm - 1200mm D
4 Leg 2700mm - 5600mm L x 850mm - 1200mm D

HEIGHT RANGE
Standard 720mm (including 25mm worktop)
Custom 525mm - 1025 mm (including 25mm worktop)
Glide Adjustment +/- 10mm

WEIGHT CAPACITY 100kg including worktop

OPTIONAL EXTRAS Power data beam - mounted between leg sets
Heavy duty castors, Table Links

FRAME FINISH Standard Black Texture, Pearl White
Custom powdercoat

WARRANTY 7 Years



MARCO Long Meeting

TOP DIMENSIONS

Long Meeting - Rectangular
MM-3S|L

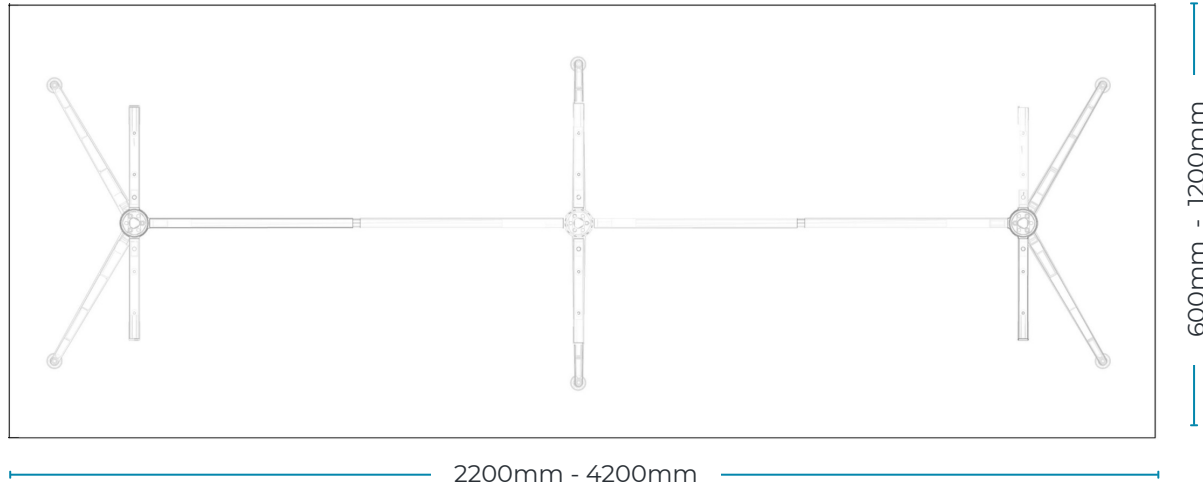
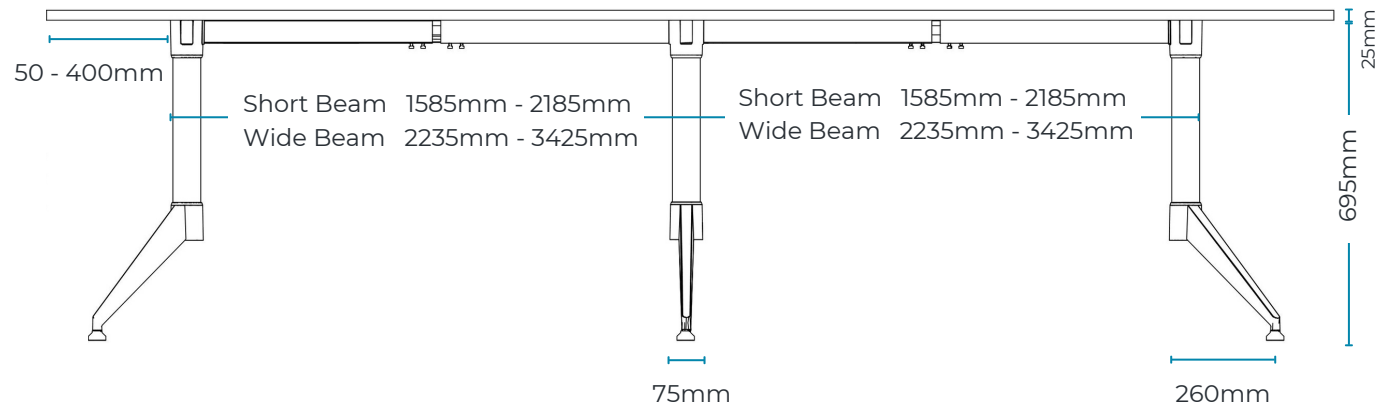


TABLE CONFIGURATION

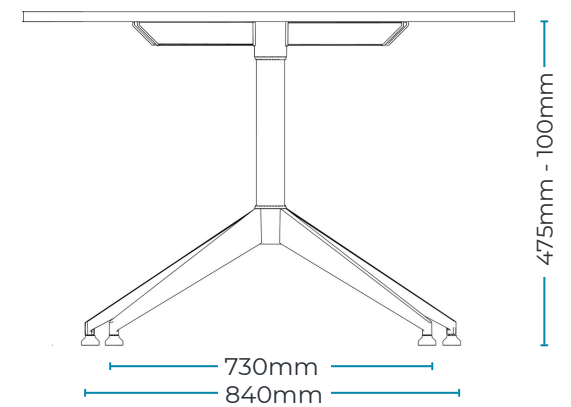
Fixed Frame - 2 Leg



FRAME DIMENSIONS



LEG STANCE



MARCO Long Meeting

TOP DIMENSIONS

Long Meeting - Boat Shape
MM-B3L

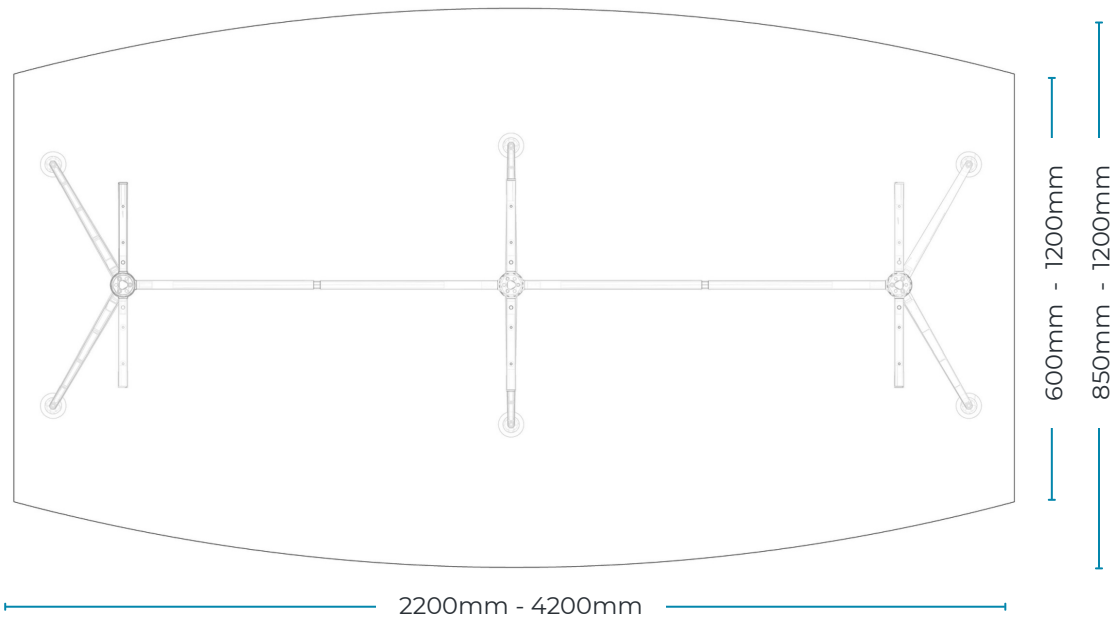
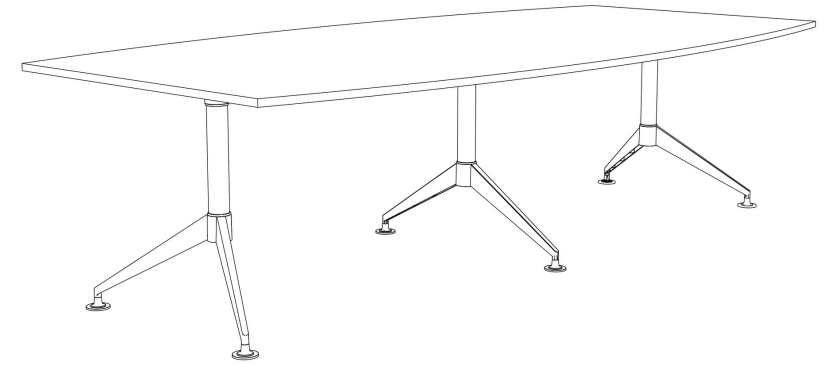
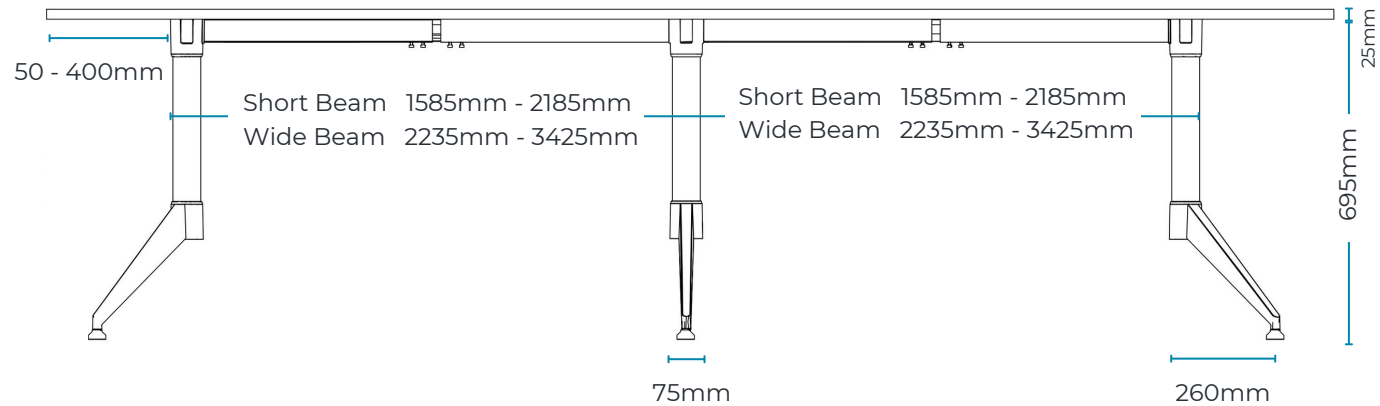


TABLE CONFIGURATION

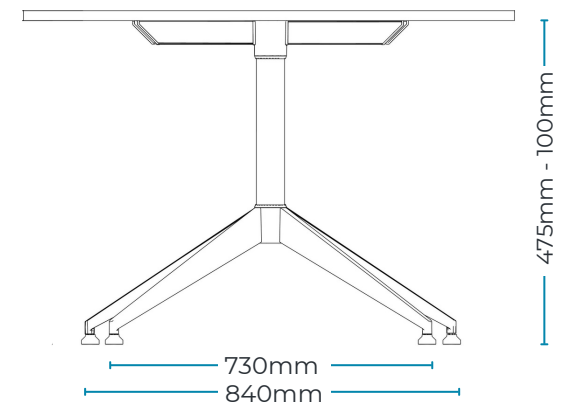
Fixed Frame - 2 Leg



FRAME DIMENSIONS



LEG STANCE



elevator

MARCO

Multi-Leg Meeting

Designed with telescopic beams and varying foot profiles it allows for ease of adjustment, customisation and fast installation whilst maintaining a contemporary look.

The Marco Multi-Leg system is the latest addition to compliment the range, providing a strong and versatile base for large meeting and boardroom tables.

PRODUCT TYPE	Fixed Height - 4, 6, 8, 10 Multi-Leg Meeting Frame
FOOT TYPE	Fixed rail variations with adjustable glides top suit top depth
TOP SIZE	4 Leg 1800mm – 2700mm L x 1200mm – 2100mm D 6 Leg 2400mm – 4200mm L x 1200mm – 2100mm D 8 Leg 3900mm – 5700mm L x 1200mm – 2100mm D 10 Leg 5400mm – 7200mm L x 1200mm – 1200mm D
HEIGHT RANGE	Standard 720mm (including 25mm worktop) 4 & 6 Leg 525mm - 1025 mm (including 25mm worktop) Glide Adjustment +/- 10mm
WEIGHT CAPACITY	100kg / Leg Set including worktop
OPTIONAL EXTRAS	Power mounted between rail sets >240mm
FRAME FINISH	Standard Black Texture Custom powdercoat
WARRANTY	7 Years

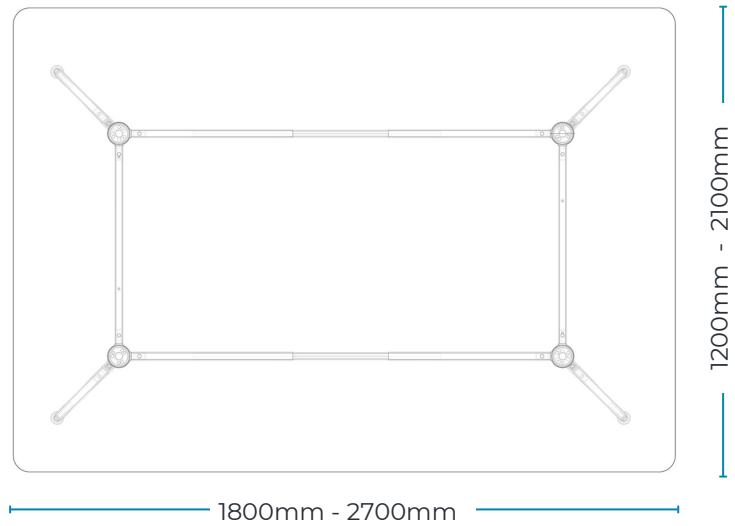


MARCO Multi-Leg Meeting

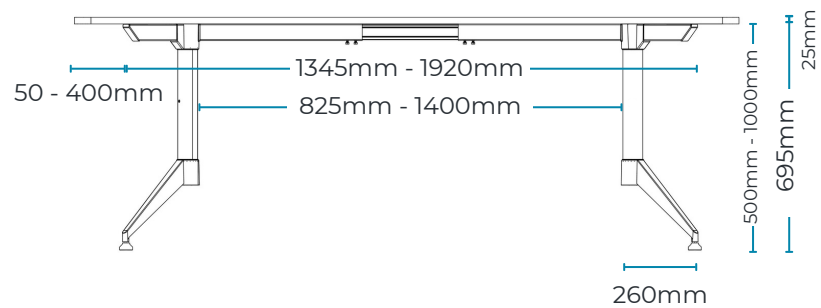
TOP DIMENSIONS

Multi - 4 Leg Meeting Table

ML-4B



FRAME DIMENSIONS



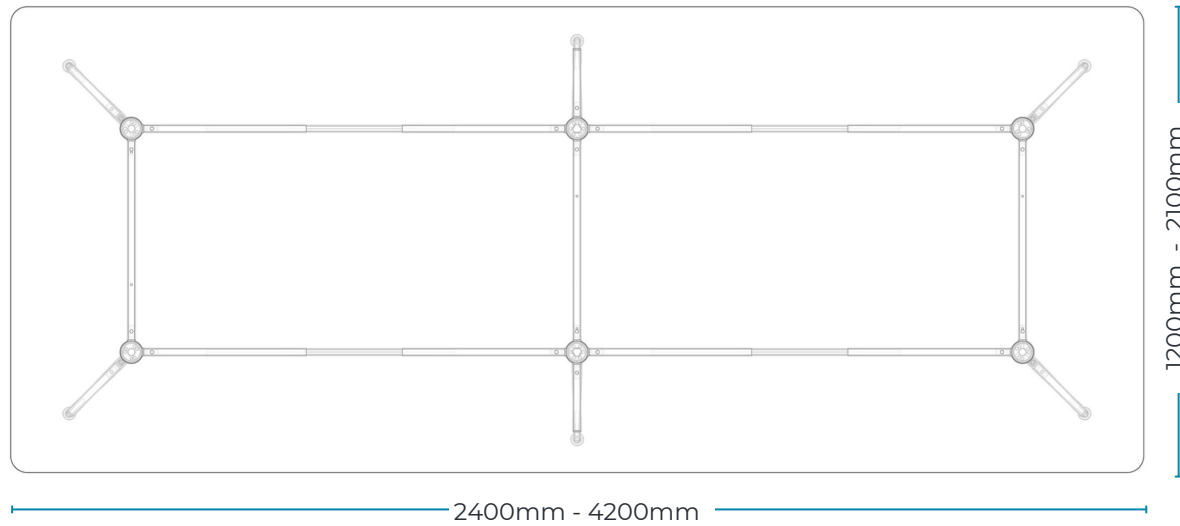
elevator

MARCO Multi-Leg Meeting

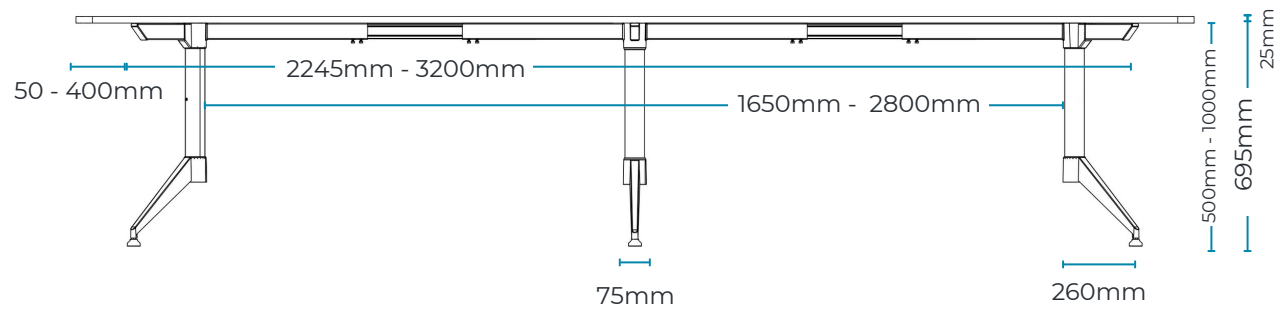
TOP DIMENSIONS

Multi - 6 Leg Meeting Table

ML-6B



FRAME DIMENSIONS

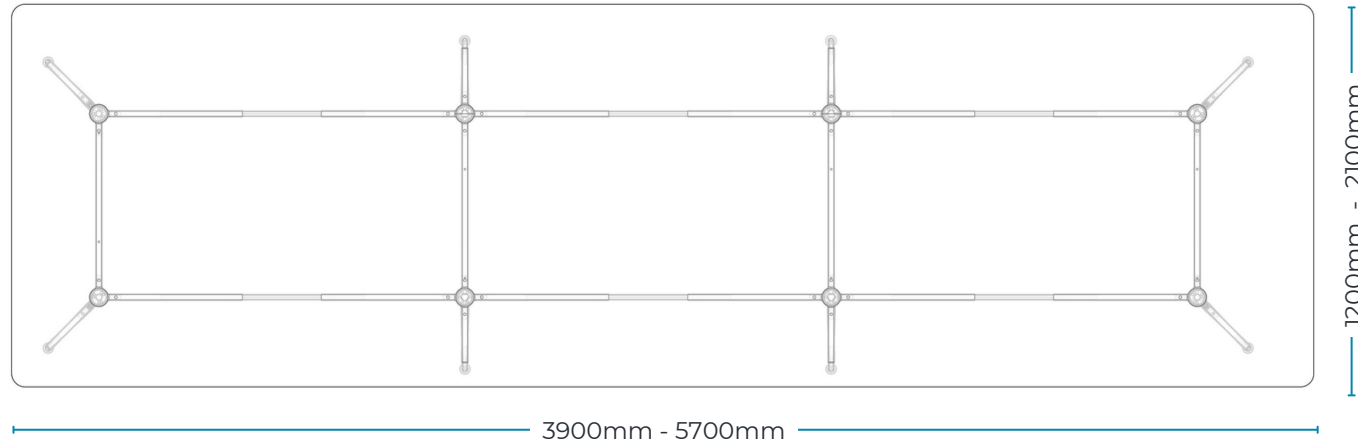


elevator

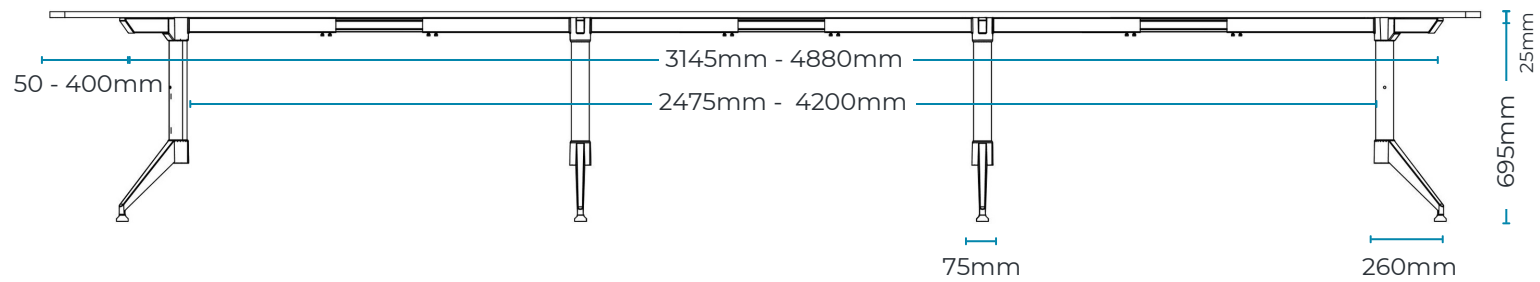
MARCO Multi-Leg Meeting

TOP DIMENSIONS

Multi - 8 Leg Meeting Table
ML-8B



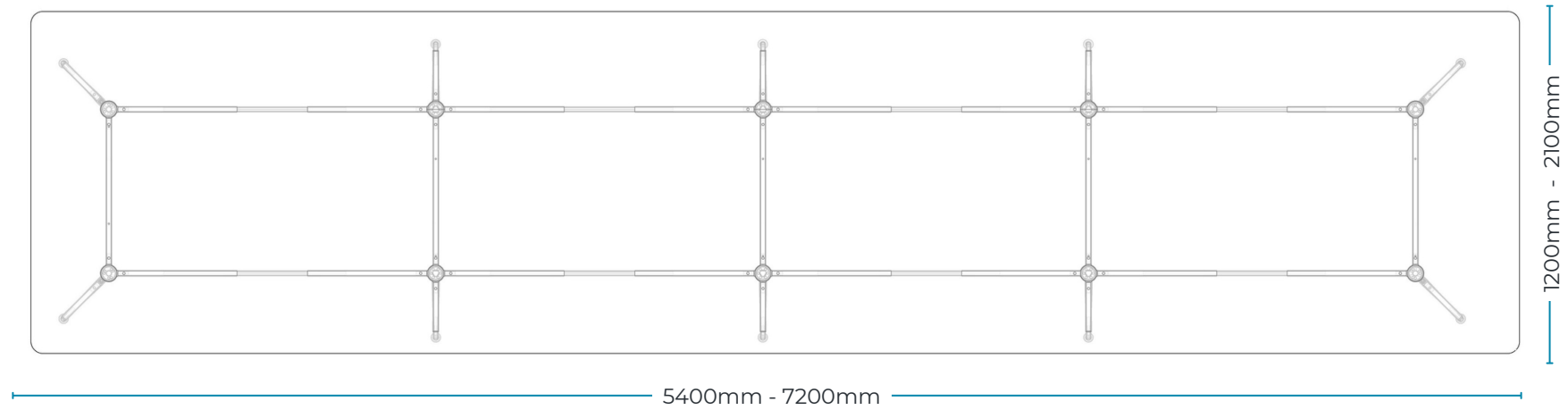
FRAME DIMENSIONS



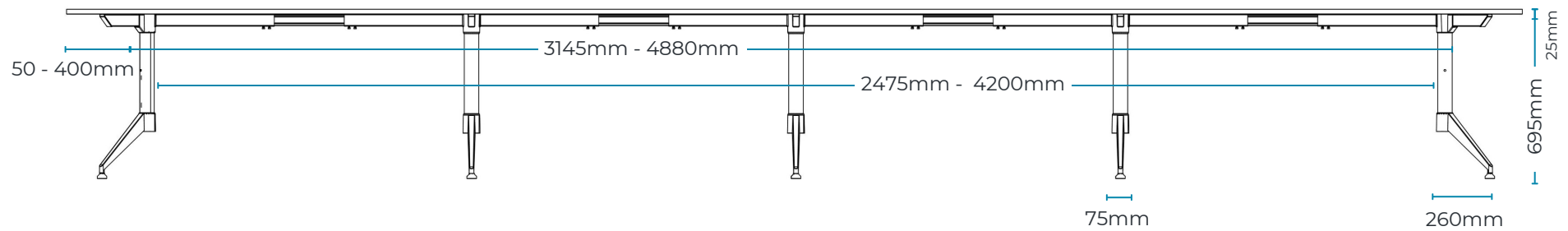
MARCO Multi-Leg Meeting

TOP DIMENSIONS

Multi - 10 Leg Meeting Table
ML-10B



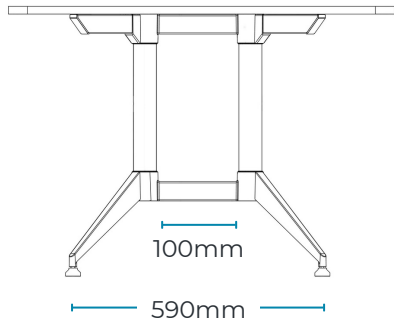
FRAME DIMENSIONS



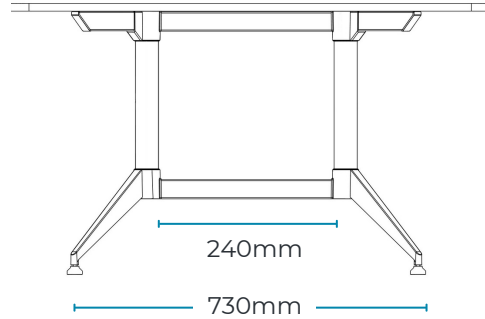
elevator

MARCO Multi-Leg Meeting

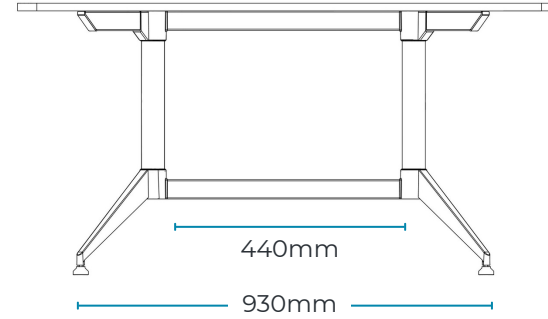
RAIL DIMENSIONS



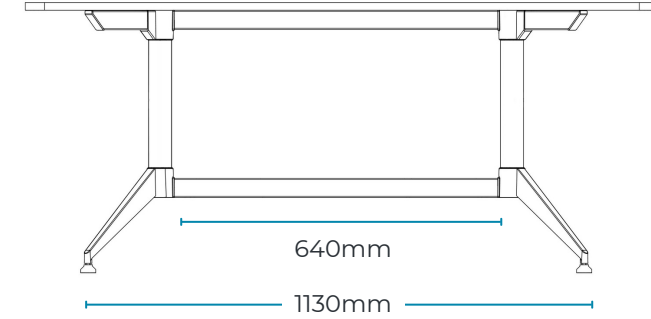
Rail Length 100mm
Middle Leg Length 760mm
To Suit Top Depths 1200 – 1400mm
Power Box N/A



Rail Length 240mm
Middle Leg Length 900mm
To Suit Top Depths 1400 – 1600mm
Power Box Max. 150mm D



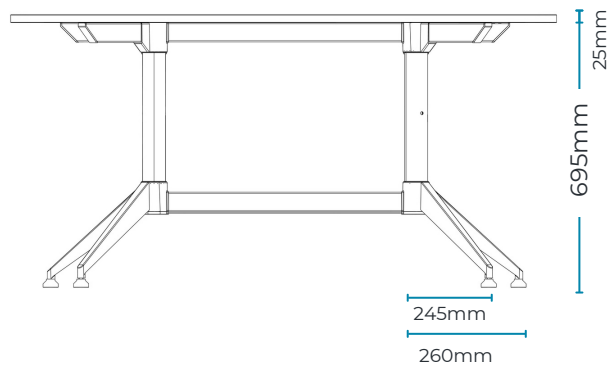
Rail Length 440mm
Middle Leg Length 1100mm
To Suit Top Depths 1600 – 1800mm
Power Box Max. 350mm D



Rail Length 640mm
Middle Leg Length 1300mm
To Suit Top Depths 1800 – 2100mm
Power Box Max. 550mm D

LEG STANCE

End | Center Leg



elevator

MARCO

Breakout

Utilising two widths of 4 star frames and numerous custom options we can achieve various breakout settings. Minimal assembly is required as Marco breakout is pre-assembled when shipped.

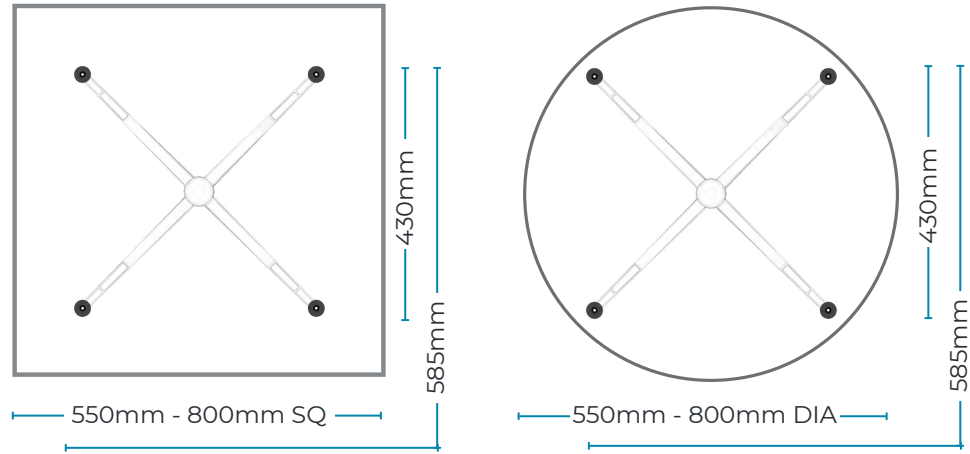
PRODUCT TYPE	Fixed Height - 4 Star Frame
FOOT TYPE	Narrow and wide foot profile
TOP SIZE	Narrow 550mm - 850mm DIA/SQ Wide 900mm - 1200mm DIA/SQ
HEIGHT RANGE	Standard 720mm (including 25mm worktop) Custom 475mm - 1000mm (including 25mm worktop) Glide Adjustment +/- 10mm
WEIGHT CAPACITY	50kg including worktop
OPTIONAL EXTRAS	Heavy duty castors
FRAME FINISH	Standard Black Texture, Pearl White Custom powdercoat
WARRANTY	7 Years



MARCO Breakout Table

TOP DIMENSIONS

Narrow Stance MB-N



LEG DIMENSIONS

Narrow Fixed Leg - 4 Star

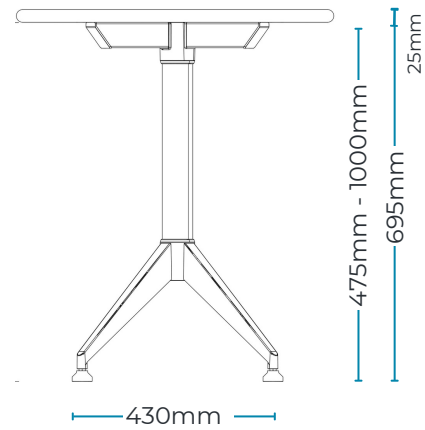
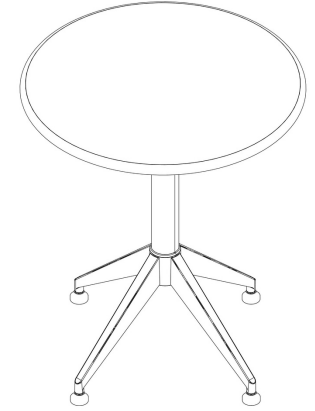


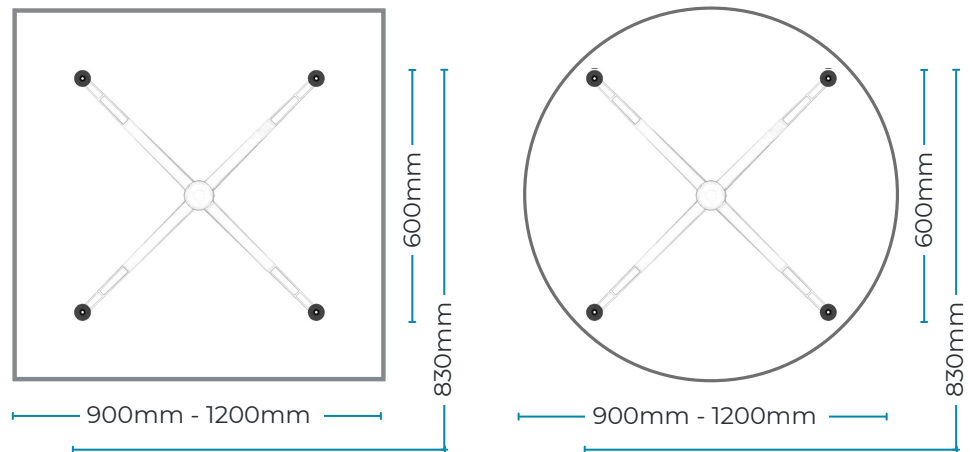
TABLE CONFIGURATION

Fixed Leg - 4 Star



TOP DIMENSIONS

Wide Stance MB-W



LEG DIMENSIONS

Wide Stance

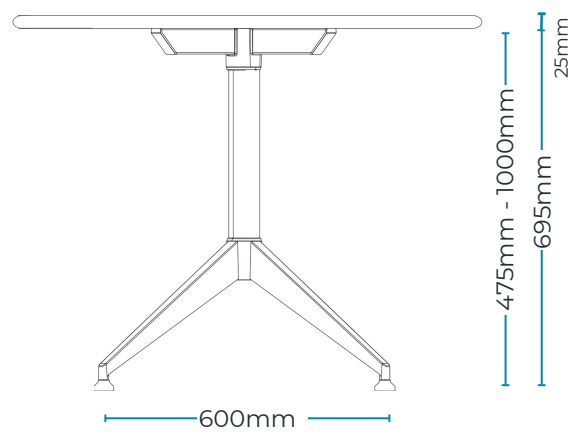


TABLE CONFIGURATION

Wide Stance - 4 Star

